



## Hyundai/Kia Data Interface with Amplifier Bypass Harness & DSP 2017-Up

### INTERFACE FEATURES

- Designed for SPDIF amplified sound systems
- Includes an amp bypass harness
- Retains BlueLink/UVO voice prompts
- All chimes/voice prompts go through the aftermarket amp
- Adjustable chime level
- Micro-B USB updatable

### INTERFACE COMPONENTS

- AXDSP-X
- AXBK-1
- AXDSPX-HK4 harness
- AXDSP-X harness
- Amplifier bypass harness

### APPLICATIONS

Hyundai  
Santa Fe 2017

### TABLE OF CONTENTS

Connections ..... 2  
Installation ..... 3-4

### TOOLS & INSTALLATION ACCESSORIES REQUIRED

- Crimping tool and connectors, or solder gun, solder, and heat shrink
- Tape
- Wire cutter
- Zip ties
- Tone generator

### Google Play Store



### Apple App Store

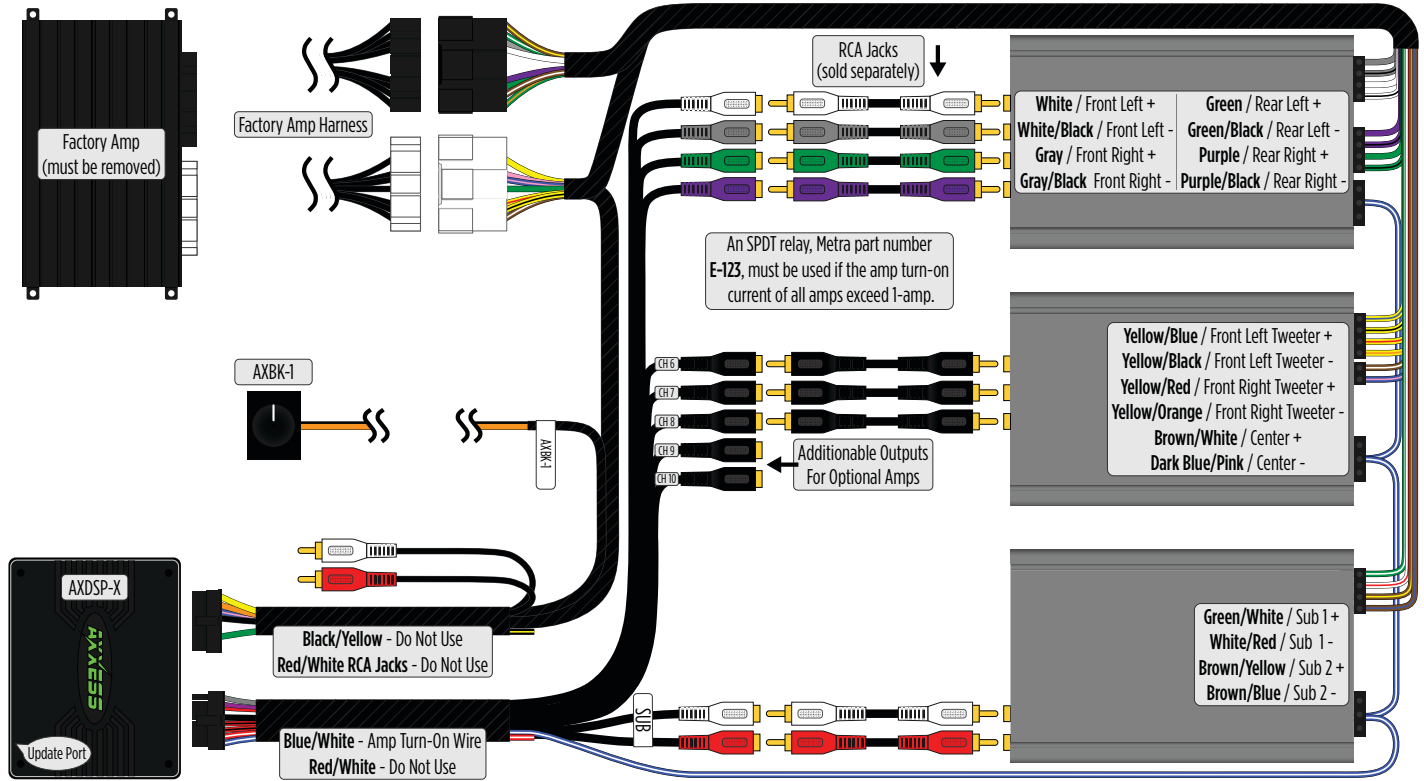
iOS 12.1 or higher



**ATTENTION:** With the key out of the ignition, disconnect the negative battery terminal before installing this product. Ensure that all installation connections, especially the air bag indicator lights, are plugged in before reconnecting the battery or cycling the ignition to test this product.

**NOTE:** Refer also to the instructions included with the aftermarket radio.

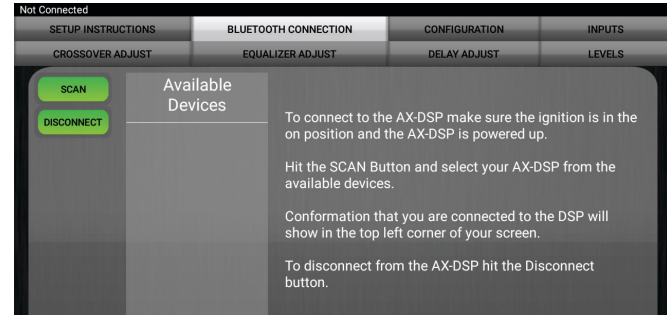
# CONNECTIONS



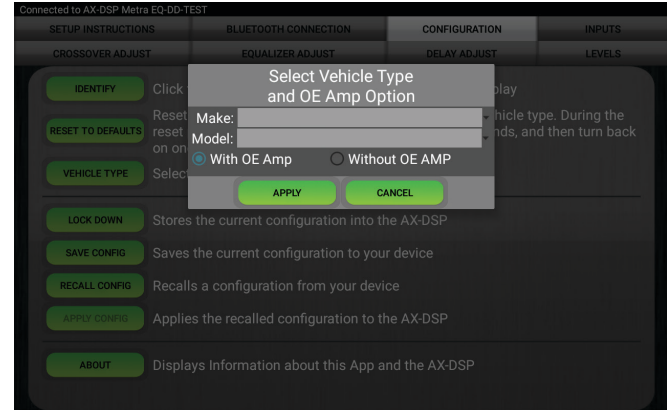
# INSTALLATION

1. Locate the factory amp, unplug all connectors, then remove the amp.  
**Note:** Amp location is on the following page.
2. Install the **AXDSPX-HK4 harness** and make all necessary connections, but leave the amp turn-on wire disconnected.
3. Plug the 16-pin and 20-pin connectors from the **AXDSPX-HK4 harness** into the **AXDSP-X**.
4. Download and install the AXDSP-X app from the **Google Play Store** or **Apple App Store**.
5. Open the app and follow the instructions on the **Bluetooth Connection** tab to pair the mobile device to the AXDSP-X. (Figure A)
6. Scroll to the **Configuration** tab then select the vehicle type. Press the **Lock Down** button to save the configuration. (Figure B)
7. Connect the amp turn-on wire from the **AXDSPX-HK4 harness**. Click the **Identify** button to confirm that the AXDSPX-HK4 is connected properly. If so, a chime will be heard from the front left speaker. Test all functions of the installation for proper operation.  
**Note:** The outputs may need to be configured within the **Outputs** tab.
8. Adjust the DSP settings in the app as desired. Refer to the instructions under the **Setup Instructions** tab, or online at [Axxessinterfaces.com](http://Axxessinterfaces.com) for an explanation of each tab in the app.

*Continued on the next page*



(Figure A)



(Figure B)

## INSTALLATION (CONT'D)

### Amplifier Location

#### Hyundai

**Santa Fe:** Under passenger seat

Having difficulties? We're here to help.



Contact our Tech Support line at:

**386-257-1187**



Or via email at:

[techsupport@metra-autosound.com](mailto:techsupport@metra-autosound.com)

### Tech Support Hours (Eastern Standard Time)

Monday - Friday: 9:00 AM - 7:00 PM

Saturday: 10:00 AM - 7:00 PM

Sunday: 10:00 AM - 4:00 PM



### **KNOWLEDGE IS POWER**

Enhance your installation and fabrication skills by enrolling in the most recognized and respected mobile electronics school in our industry. Log onto [www.installerinstitute.edu](http://www.installerinstitute.edu) or call 386-672-5771 for more information and take steps toward a better tomorrow.



**Metra recommends MECP certified technicians**